

716408537627

# GRW-SHELFVNT2



GATOR  
rackworks

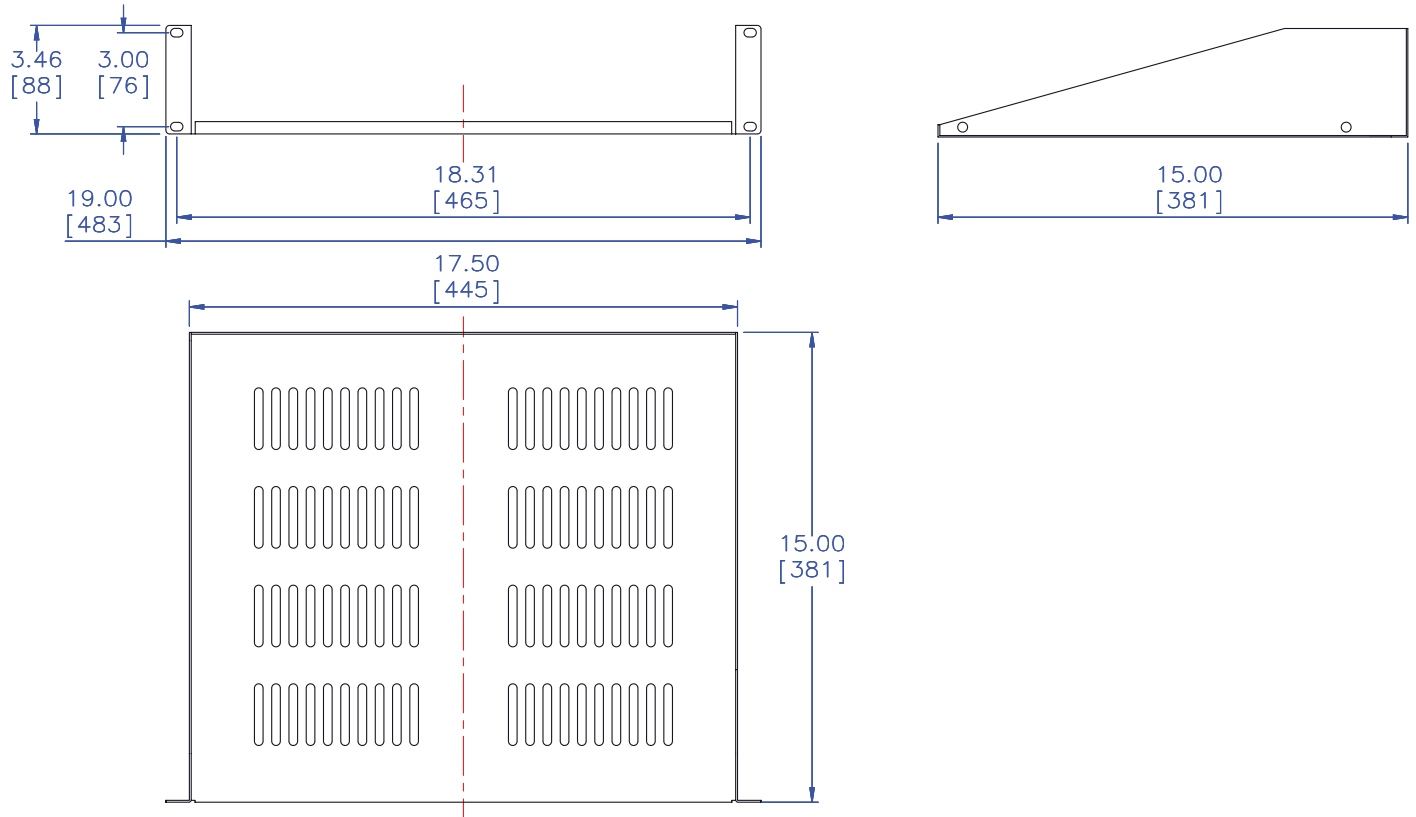
## Product Overview

Model	UPC	Description	Color
GRW-SHELFVNT2	716408537627	2U Shelf, 15" Deep, Vented	Black

## Shipping Dimensions

Length (inches)	Width (inches)	Height (inches)	Weight (pounds)
23.82	21.26	16.93	9

## Product Dimensions



Call Customer Service For Order Information

**1-813-221-4191**

Visit Us Today Online @ [www.gatorrackworks.com](http://www.gatorrackworks.com)

Rev. 1 - 1/21/2015

